

# User guide

## Profoto A2

For other languages visit:  
Pour les autres langues, veuillez consulter :  
[www.profoto.com/support](http://www.profoto.com/support)



# Congratulations on your new Profoto product!

Regardless if you chose a new flash or a new light shaping tool, know that more than half a century's worth of experience was put into its making.

If the years have taught us one thing, it is never to neglect a single detail. We only put our name on a product in which we have the fullest confidence. Before shipping, every one of our products passes an extensive and strict testing program. Unless it complies with the specified performance, quality and safety, it is a no-go.

2

As a result, we are confident that your new Profoto product will stay with you for years and help you grow as a photographer. But getting the product is only the beginning of that journey. Using it for light shaping is the real adventure for today and into the future. That is why we take pride in providing you such a wide assortment of light shaping tools and continuing to bring you the latest technology to our products, allowing you to shape the light in any way you can imagine across any devices.

The almost infinite possibilities might seem bewildering at first, but we're certain you will soon get the hang of it.

Make sure you download our Profoto app and sign up to MyProfoto account to manage your Profoto devices and stay updated with product news and updates. You'll also receive insights, tips and tricks from leading photographers on how to shape light; because we hope that sharing our experiences from over 50 years of light shaping will inspire you to grow even further.

Enjoy your Profoto product.

Conny Dufgran, founder

# General safety instructions



## Safety Precautions!

Do not operate the equipment before studying the Quick Start and Safety Guide and the User Guide. Make sure that the Quick Start and Safety Guide is always accessible to the user! Profoto products are intended for indoor condition use! Do not place or use the equipment where it can be exposed to moisture, extreme electromagnetic fields or in areas with flammable gases or dust! Do not expose the equipment to dripping or splashing. Do not place any objects filled with liquids, such as vases, on or near the equipment. Should any water or pollutants such as ash, dust or insects end up in the product, do not touch the equipment. Contact Profoto service! Do not expose the equipment to rapid temperature changes in humid conditions as this could lead to condensation water in the unit. Do not modify, disassemble, open, drop, crush, puncture, heat above 60°C (140°F), incinerate, or shred the battery. Keep batteries (battery pack or battery installed) away from open flames or sunlight to prevent heat build-up. Risk of fires and burns, rupture and explosion, electrolyte leakage and/or venting. The emissions are toxic. Provide good ventilation in case of leakage and/or venting. Move exposed persons to fresh air and seek medical attention. Do not short-circuit the battery or its cells. In the event of a cell leaking, do not allow the liquid to come in contact with the skin or eyes. In case of contact with skin or eyes: rinse immediately with fresh water and seek medical attention. Stop using the battery if it becomes hot, discolored, or deformed. Only use the intended Profoto charger(s) to charge the battery. Do not connect lights, or use light shaping tools, from other manufacturers. The front lens shall be changed if it has become visibly damaged to such an extent that its effectiveness is impaired, for example by cracks or deep scratches. If the product enclosure should crack, immediately stop using the product and contact Profoto Service! It is unavoidable that the type of capacitor used in flash products can sometime break. If this should happen a sharp smell may emit from the flash product along with smoke. Avoid getting the emission in the face. If the emission does get in the eyes or mouth, rinse with water. The emission is nontoxic. Rinse with water and soap if you get leaking electrolyte on the skin. Do not ingest the electrolyte. Do not connect or charge the battery or operate a product which has been left in a hot or cold environment, such as a car. Let the product reach the approved operating temperature before doing so. When using a stand, always make sure that the equipment is securely attached. Make sure that the rated voltage for the modeling lamp corresponds with the technical data in the user guide regarding the power supply! Never install the product in a confined space. Always leave space around the product for ventilation, do not cover any ventilation openings! Do not obstruct ventilation by placing filters, diffusing materials, etc. over inlets and outlets of the equipment ventilation or directly over the glass cover, modeling lamp or flash tube! Do not expose the product to excessive heat such as sunshine, heat sources, and fire or similar. Profoto products are only intended for the purpose of image capture, such as photography and videography. They are not intended for use in any other application.



## WARNING - Electric Shock - High Voltage!

Do not attempt to repair this product yourself, as opening or removing screwed covers may expose you to the risk of electric shock. Equipment must only be serviced, modified, or repaired by authorized and competent service personnel! Warning - The terminals marked with the flash symbol are hazardous live. Do not open or disassemble flashes, generators, or lamp heads! Equipment operates with high voltage. The flashes, generators or lamp heads can contain hazardous live, for a considerable time, even when powered off and/or the battery has been removed. The charger mains cable and plug serve as the disconnect device from mains power. Always disconnect the charger from the mains outlet by pulling the plug, not the cable. The socket outlet should be in close proximity to the equipment and should be easily accessible. Never operate the equipment without a functioning flash tube and/or modelling light.

**Caution – Burn Hazard – Hot Parts!**

Do not touch hot parts with bare fingers! Modeling lamps and flash tubes may make certain metal parts, front lenses or glass covers emit strong heat when used! All lamps may on rare occasions explode and throw out hot particles! Do not point modeling lamps or flash tubes too close to persons.

**Warning - Loud Noises**

There is a risk for exposure to sudden loud noise. Please use hearing protection and/or observe a minimum safety distance of 18 cm (7 in.) between the generator and users/other people present.

**Caution!**

Possibly hazardous optical radiation emitted from this product. Do not stare at operating lamp. May be harmful to the eye. Do not trigger a flash towards an unexpected subject, any person operating heavy equipment, or on anyone performing any other activities where an unexpected flash could cause injury or harm. Please note that flashes can be triggered remotely from a long distance. Continuous LED light, 3500 K, CRI 80.

**Final Disposal**

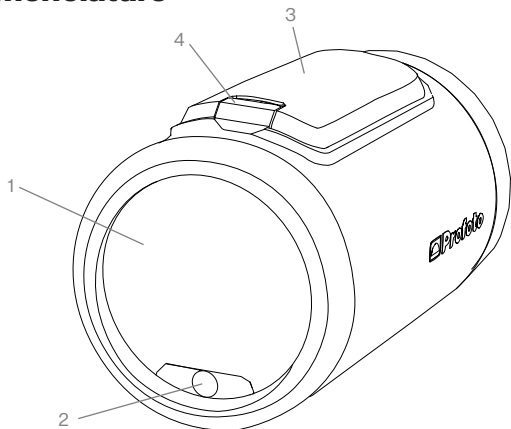
When the product reaches end of service, do not dispose of it with your other household waste. Equipment contains battery, electrical and electronic components that could be harmful to the environment. Equipment may be returned to Profoto distributors free of charge for recycling. Follow local legislation for disposal of batteries, electrical and electronic components, respectively.

# Table of contents

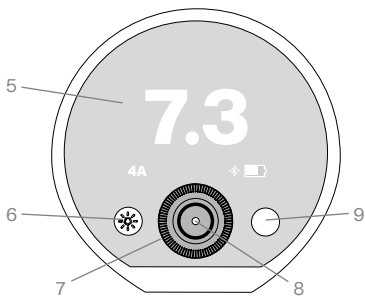
Congratulations on your new Profoto product! .....	3
General safety instructions.....	4
Nomenclature .....	9
Getting started.....	12
Mandatory safety instructions.....	12
Product registration and firmware update.....	12
Charge the battery.....	12
Mount and remove the battery.....	14
Mount the stand adapter.....	15
Mount the flash on a light stand .....	16
Mount the flash on a tripod or ball head .....	17
Mount an umbrella.....	18
Attach Profoto Clic lightshapers.....	19
Basic operation.....	20
Power on/off.....	20
Adjust the flash power.....	20
Continuous light .....	20
Navigate the settings menu .....	21
Settings menu.....	22
Air group.....	22
Air channel.....	22
Air .....	22
Bluetooth .....	22
Continuous light .....	23
Advanced settings.....	23
Control sounds .....	23
Warning sounds.....	24
Display brightness .....	24
Standby .....	24
Auto off.....	24
About.....	24
Regulatory info.....	24
Factory reset.....	24

Connectivity .....	25
Set up connectivity with Profoto remotes .....	25
Profoto apps .....	26
Additional functions.....	27
Quick burst .....	27
Wrong exposure alarm .....	27
Head off.....	27
Other .....	28
Care instructions .....	28
Serial number and firmware version .....	28
Technical specifications.....	29
General specifications.....	29
Credit .....	30

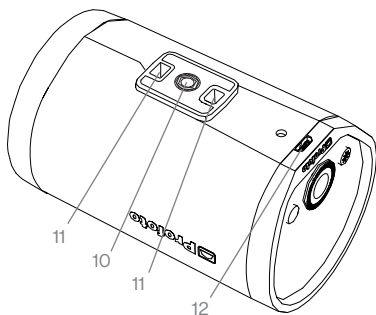
# Nomenclature



- |                         |                           |
|-------------------------|---------------------------|
| 1. Front lens           | 3. Battery                |
| 2. Continuous light LED | 4. Battery release button |



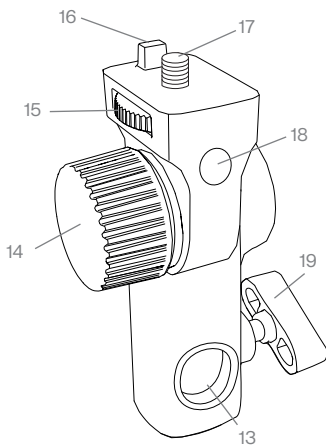
- |                            |                                |
|----------------------------|--------------------------------|
| 5. Display                 | 8. Settings button             |
| 6. Continuous light button | 9. Test button & ON/OFF button |
| 7. Dial                    |                                |



10. Stand adapter attachment point

11. Alignment pin holes

12. USB Type-C



13. Stand stud mount

14. Tilt lock knob

15. Attachment screw wheel

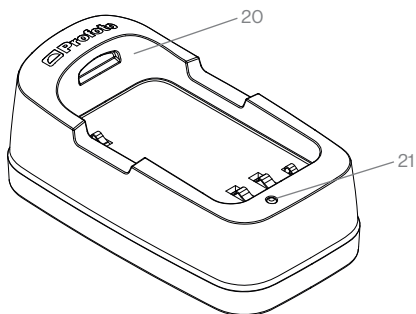
16. Alignment pin

17. Attachment screw

18. Umbrella holder

19. Clamp screw





20. Battery charger

21. Battery charger indicator

# Getting started

## Mandatory safety instructions

In addition to this user guide, you are required to read the Quick Start and Safety Guide before you start using your A2 flash. It contains vital information for the safe operation of the product as well as important regulatory information. The Quick Start and Safety Guide is supplied in print with the A2, translated into many languages. It is also available for download at the same place where you download this user guide.

## Product registration and firmware update

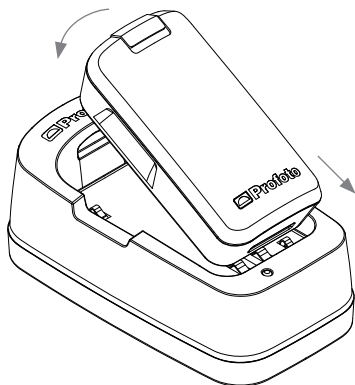
Before use, product registration and firmware update are required. When you start the A2 for the first time, a welcome screen with a QR code will appear on the display. Scan the QR code with your smartphone and you will be directed to a web page with instructions on how to set up your A2.

## Charge the battery

For optimal performance, the battery should be fully charged prior to use. The battery can be charged from any charge level. Only use the Profoto battery charger supplied with the A2.

Charge the battery:

1. Push the battery release button [4] and remove the battery from the A2.
2. Put the battery into the battery charger [20].



3. Connect the battery charger to the mains power.
4. Check that the charge indicator [21] is continuously orange, indicating that charging is in progress.
5. When charging is complete, the battery charger indicator [21] is green. Disconnect the battery charger by pulling the plug, not the cable.

#### **NOTE**

- Disconnect the battery charger from the mains power before cleaning and when the charger is not in use.
- For increased lifetime, do not leave the battery uncharged for a long time. If the battery is deeply discharged, the charging time can be longer than specified in the technical specifications.
- Battery should not be charged while in contact with flammable material like textiles.
- Battery charger indicator blinking orange indicates battery error. Contact a Profoto dealer for support.

#### **Charge temperature**

Temperate indoor environment (approx 20°C/70°F). The battery can be charged in a wider temperature range (0–45°C/32–113°F), but charging at high or low temperatures may increase the charging time and/or reduce the battery lifetime.

## Storage temperature conditions

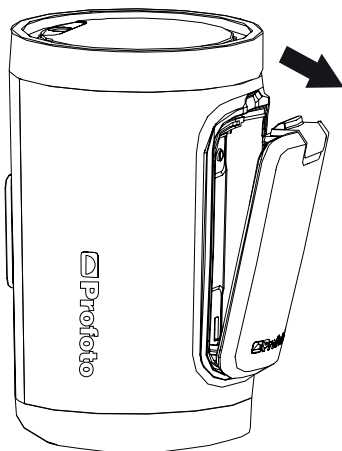
Temperate and dry indoor environment (approx 20°C/70°F) at a charge level of 30-50%. If stored for a longer period, check charge level every 6 months to avoid fully depleting the battery. The storage environment should be free from dust and corrosive gas. For short-term storage the battery can be stored at up to 45°C/113°F and higher charge levels.

## Mount and remove the battery

To mount the battery, fit the battery in place in the A2 as illustrated below and then push until you hear a click, indicating that the battery is locked in place.

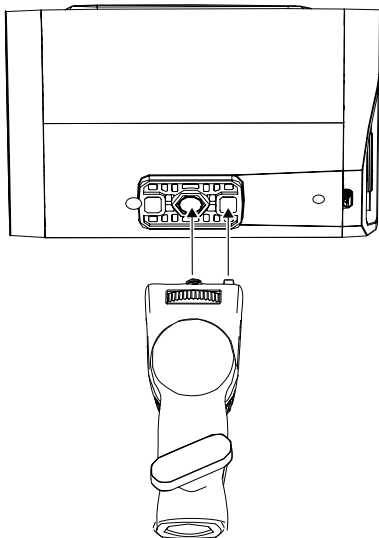
**12**

To remove the battery, first turn off the A2. Press the battery release button [4] and pull out the battery.



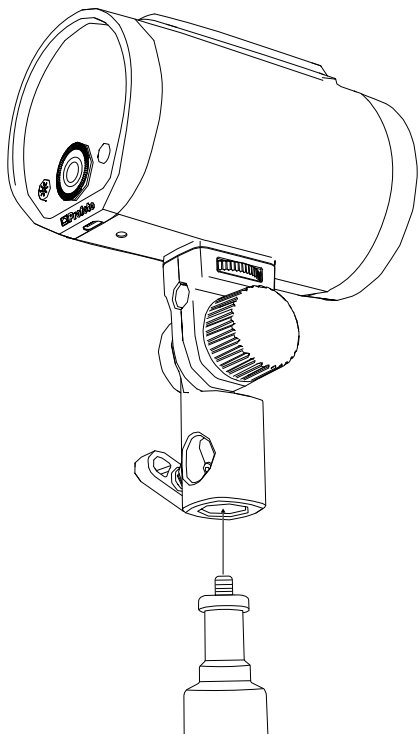
## Mount the stand adapter

1. Fit the stand adapter attachment screw [17] and alignment pin [16] into the attachment point [10] and one of the alignment pin holes [11] on the A2.
2. Tighten the attachment screw with the attachment screw wheel [15] until the stand adapter sits firmly.



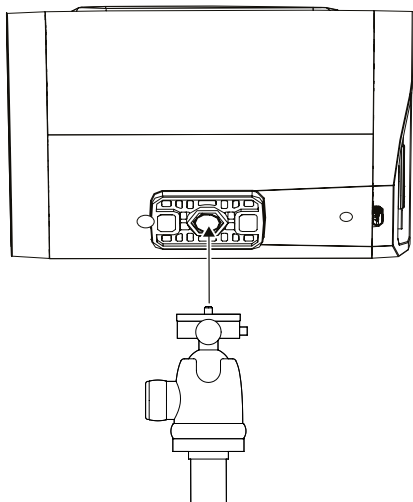
## Mount the flash on a light stand

1. Mount the stand adapter on the A2.
2. Fit the light stand stud in place in the stand stud mount [13] on the A2 and secure with the clamp screw [19].
3. To adjust the tilt position, loosen the tilt lock knob [14].
4. To lock the tilt position, tighten the tilt lock knob [14].



## Mount the flash on a tripod or ball head

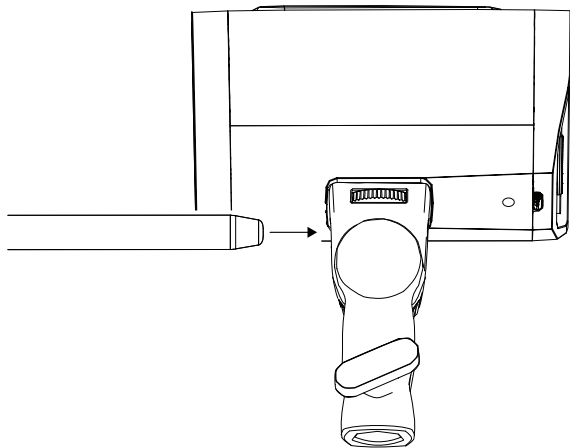
1. Remove the stand adapter from the A2.
2. Attach the tripod or ball head into the attachment point [10] on the A2.



## Mount an umbrella

The umbrella holder is integrated with the stand adapter. The umbrella shaft diameter must be between 7 mm and 8 mm to fit into the umbrella holder.

1. Mount the stand adapter on the A2.
2. Slide the umbrella shaft into the umbrella holder [18], passing the point where you feel some friction.
3. Continue to slide the umbrella shaft until the umbrella is positioned where you want it.





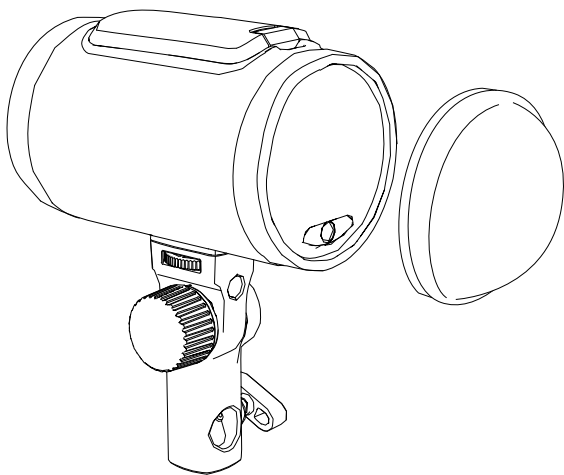
## Attach Profoto Clic lightshapers

The Profoto Clic light shaping tools easily click on to the A2, thanks to the built-in magnetic mount.

- To attach a Profoto Clic tool, just snap the tool in place in front of the lens until you hear a “click”.
- To remove the tool, just pull it off.

### NOTE

You can stack several Profoto Clic tools on to the A2, enabling limitless creative possibilities.



## Basic operation

### Power on/off

- To switch on the A2, press and hold the ON/OFF button [9].
- To switch off the A2, press and hold the ON/OFF button [9].

When the A2 switches off, the current settings are stored and will apply when the A2 is switched on again.

To save battery, the A2 automatically enters standby mode and/or switches off completely after a period of inactivity. The periods of inactivity for the standby and auto power off functions are selectable via the settings menu.

In standby mode, the display [5] and test button [9] are switched off. To return to operational mode, push any of the A2 buttons.

### Adjust the flash power

The flash power setting (light output) is shown on the display [5]. The power scale is a relative f-stop scale from 0.1-10. The maximum light output is shown as 10. Decreasing 1.0 f-stop means reducing the light output to half; hence, 9.0 is 50% of the maximum light output.

To adjust the flash power, turn the dial [7].

To release a test flash and test the light output setting, push the test button [9].

### Continuous light

To switch on or off the continuous light, push the continuous light button [6].

## Navigate the settings menu

- To enter the settings menu, press the settings button [8].
- Scroll through the settings menu by turning the dial [7].
- To change a setting, press the settings button [8]. For some settings, a submenu will appear.
- To return to the previous menu, press the continuous light button [6] or select < at the top of the screen and then push the settings button [8].
- To return to the main screen, press the test button [9] or the continuous light button [6].

## Settings menu

All settings listed below are accessed through the settings menu.

### Airgroup

The Air group setting is used to select the group (A-F) for wireless control via Profoto Air. Factory default setting is group A.

#### NOTE

The Air group setting is only selectable when Air is set to ON.

### Air channel

The Air channel setting is used to select the channel (1-20) for wireless triggering via Profoto Air. Factory default setting is channel 1.

#### NOTE

The Air channel setting is only selectable when Air is set to ON.

### Air

The Air setting is used to activate/deactivate the wireless connectivity with Profoto remotes.

When Air is set to ON, the channel and group must also be set. For more information, see the section **Set up connectivity with Profoto remotes**.

### Bluetooth

The Bluetooth setting is used to activate/deactivate the wireless connectivity with the Profoto app.

- Select ON to make the A2 discoverable for the Profoto app.
- Select DISCONNECT to disconnect the A2 from the Profoto app.
- Select OFF to deactivate Bluetooth.

## Continuous light

The continuous light setting defines how the continuous light intensity will be adjusted in relation to the flash power setting.

- **MAX:** The light intensity will be maximal, regardless of the flash power setting.
- **PROP:** The light intensity will be proportional to the flash power setting. This setting is recommended if the continuous light is used as modeling light.

## Advanced settings

The Advanced option opens the advanced settings menu.

### Ready signal

The ready signal setting is used to select how the A2 will indicate that it is fully recharged after flashing and ready to flash again.

- **SOUND:** The A2 beeps when it is ready to flash.
- **DIM:** The continuous light turns off after flashing and turns on when the A2 is ready to flash.
- **SOUND & DIM:** The continuous light turns off after flashing. The continuous light turns on and the A2 beeps when it is ready to flash.
- **OFF:** Ready signaling is deactivated.

### NOTE

The test button [9] always turns off after flashing and turns on again when the A2 is ready to flash.

## Control sounds

The control sounds setting is used to enable/disable the tactile sounds for the dial and buttons.

## Warning sounds

The warning sounds setting is used to enable/disable the sound for the wrong exposure alarm. For more information, see the section **Wrong exposure alarm**.

## Display brightness

The display brightness setting is used to set the brightness of the display [5].

## Standby

To save battery, the A2 can be set to go into standby mode after a selectable period of inactivity.

## Auto off

To save battery, the A2 can be set to automatically switch off after a selectable period of inactivity.

## About

This option displays information such as serial number and firmware version.

## Regulatory info

This option displays regulatory information.

## Factory reset

This option opens a dialog where you can choose to reset all settings to the factory default settings.

## Connectivity

A2 comes with built-in Profoto AirX connectivity. AirX is the 3rd generation of wireless Profoto connectivity, after Air and AirTTL.

AirX supports:

- Wireless Air and AirTTL functionality in Profoto Air and AirTTL-enabled remotes.
- Dedicated AirX functionality in AirX-enabled Profoto remotes and apps.

### Set up connectivity with Profoto remotes

These instructions only cover the basic setup on A2. For detailed operating instructions, refer to the user guide for your Profoto remote.

1. On the A2 settings menu, set Air to ON.
2. On the A2 settings menu, select the same channel that is set on your Profoto remote.
3. On the A2 settings menu, select a group (A-F).

### Auto (TTL) with Profoto remotes

Auto (TTL) requires no additional setup on the A2, once the Air channel and group setup is done. Just switch between Auto (TTL) and Manual (MAN) on your Profoto remote to select if you want the remote to adjust the flash automatically or if you want to control it manually.

A2 will keep the flash power set by Auto (TTL) when you switch the remote to Manual (MAN). This makes it easy to use Auto (TTL) as your “light meter” to get a good starting point for manual adjustments.

When Auto (TTL) is activated by the remote, the **AUTO** indicator temporarily appears on the display [5].

When an Auto (TTL) group adjustment is made on the remote, the AUTO indicator, including the offset, temporarily appears on the energy display [5].

## High-Speed Sync (Hi-S) with Profoto remotes

High-Speed Sync (Hi-S) requires no additional setup on the A2, once the Air channel and group setup is done. High-Speed Sync is activated on your remote or camera.

When High-Speed Sync is activated by the remote, the **Hi-S** indicator temporarily appears on the display [5].

## Profoto apps

Profoto offers several apps that allow you to explore a growing range of Bluetooth-connected AirX functions with your flash.

**24**

Some of the connected benefits of Profoto apps are:

- Fast and easy product registration and firmware updates.
- Remote control from smartphone, tablet or desktop.
- Smartphone camera connected with your flash.

Profoto apps are available for download on Apple App Store, Google Play Store, and Huawei AppGallery. For more information about the Profoto apps, visit [Profoto.com](http://Profoto.com).

To connect a Profoto app to the A2, you first need to activate Bluetooth (see section Settings menu). Then start any Profoto app and follow the in-app instructions.



## Additional functions

### Quick burst

Quick burst is a compensation feature that allows you to shoot a quick series (burst) of images at a faster pace than the flash can recharge without losing any light output from the flash. The number of flashes that the function can compensate for depends on the set flash power. At lower flash power, longer bursts can be compensated. At full flash power, no compensation can be made

### Wrong exposure alarm

The wrong exposure alarm is triggered if the light output of the fired flash does not fully correspond to the set value. This can happen if a flash is fired before the A2 is fully recharged and the Quick burst function cannot compensate for it. When the wrong exposure alarm is triggered, an **EXP** indicator will be lit in the display [5] and if Warning sounds is activated in the settings menu, there will also be a sound signal.

### Head off

The A2 can be set to head off state remotely by selecting “head off” on a Profoto remote or app.

When the A2 is set to head off, state it will not flash and the continuous light will be set off. A head off symbol will appear on the display and the display backlight will be dimmed. The test button will also be unlit.

You can remotely reset the A2 to normal state by selecting “head on” on your Profoto remote and/or app. If you press any button on the A2 it will also go back to normal state.

## Other

### Care instructions

To clean the A2, wipe with a soft cloth moistened with a little mild detergent. Use another soft dry cloth to wipe dry.

### Serial number and firmware version

The serial number is printed on the A2 underneath the battery. You can also find the serial number on the display [5] under SETTINGS>ADVANCED>ABOUT.

# Technical specifications

## General specifications

---

Regulatory model	PCA1564
Type	PCA1564-0000/ PCA1564-0001
Operating temperature	0°C to +35°C / +32°F to +95°F
Storage temperature	Store in normal indoor conditions
Battery/cell designation	21NR19/66 / 2S1P
Battery voltage (nominal)	7.2Vdc
Rated capacity	2.0 Ah
Battery charging/discharging temperature	0°C to +45°C / +32°F to +113°F
Input power (battery charger)	100-240 Vac, 50-60 Hz
Operating frequency and radio output power (Air and Bluetooth Low Energy)	2402-2480 MHz - <10 dBm EIRP

---

More technical specifications available on [Profoto.com](http://Profoto.com)

## Credit

App Store is a trademark of Apple Inc., registered in the U.S. and other countries and regions.

Google Play and the Google Play logo are trademarks of Google LLC.

HUAWEI and AppGallery are trademarks of Huawei Technologies Co., Ltd registered in China and other countries.

The Bluetooth word mark and logos are registered trademarks owned by the Bluetooth SIG, Inc. and any use of such marks by Profoto is under license.

USB Type-C and USB-C are registered trademarks of USB Implementers Forum.

Other trademarks and trade names are those of their respective owners.



Profoto AB  
Box 1264  
172 25 Sundbyberg  
Sweden

+46 (0) 8 447 53 00  
info@profoto.com  
www.profoto.com



Technical data and product information are subject to change without notice.

September 2022 PGM0036-0000. Printed in Sweden.