

# User guide

## Profoto B10X

## Profoto B10X Plus

For other languages visit:

Pour les autres langues, veuillez consulter:

[www.profoto.com/support](http://www.profoto.com/support)





## **Congratulations on your new Profoto product!**

Regardless if you chose a new flash or a new light shaping tool, know that almost half a century's worth of experience was put into its making.

If the years have taught us one thing, it is to never neglect a single detail. We only put our name on a product in which we have the fullest confidence. Before shipping, every one of our products passes an extensive and strict testing program. Unless it complies with the specified performance, quality and safety, it is a no-go.

As a result, we are confident that your new Profoto product will stay with you for years and help you grow as a photographer. But getting the product is only the beginning of that journey. Using it for light shaping is the real adventure. That is why we take pride in providing you with such a wide assortment of light shaping tools, allowing you to shape the light in any way you can imagine.

The almost infinite possibilities might seem bewildering at first, but we're certain you will soon get the hang of it.

I encourage you to sign up for our newsletter or visit Profoto stories, [www.profoto.com/profoto-stories](http://www.profoto.com/profoto-stories), to learn more about shaping light from photographers who are sharing their stories about how Profoto Light Shaping Tools help them create outstanding images.

Enjoy your Profoto product!

Conny Dufgran, founder

# General safety instructions



## Safety Precautions!

Do not operate the equipment before studying the Quick Start and Safety Guide and the User Guide. Make sure that the Quick Start and Safety Guide is always accessible to the user! Profoto products are intended for indoor condition use! Do not place or use the equipment where it can be exposed to moisture, extreme electromagnetic fields or in areas with flammable gases or dust! Do not expose the equipment to dripping or splashing. Do not place any objects filled with liquids, such as vases, on or near the equipment. Should any water or pollutants such as ash, dust or insects end up in the product, do not touch the equipment. Contact Profoto service! Do not expose the equipment to hasty temperature changes in humid conditions as this could lead to condensation water in the unit. Do not modify, disassemble, open, drop, crush, puncture, heat above 60°C (140°F), incinerate, or shred battery. Keep batteries (battery pack or battery installed) away from open flame or sunlight to prevent heat build-up. Risk of fires and burns, rupture and explosion, electrolyte leakage and/or venting. The emissions are toxic. Provide for good ventilation in case of leakage and/or ventilation. Move exposed persons to fresh air and seek medical attention. Do not short-circuit the battery or its cells. In the event of a cell leaking, do not allow the liquid to come in contact with the skin or eyes. In case of contact with skin or eyes: flush immediately with fresh water and seek medical attention. Stop using the battery if it becomes hot, discoloured, or deformed. Do not connect lights, or use light shaping tools, from other manufacturers. The front lens shall be changed if it has become visibly damaged to such an extent that their effectiveness is impaired, for example by cracks or deep scratches. It is unavoidable that the type of capacitor used in flash products can sometime break. If this should happen a sharp smell may emit from the flash product along with smoke. Avoid getting the emission in the face. If the emissions should get in the eyes or mouth, rinse with water. The emission is nontoxic. Rinse with water and soap if you get leaking electrolyte on skin. Do not ingest the electrolyte. When using a stand, always make sure that the equipment is securely attached. Remove transport cap from lamp head before use! Never install the product in a confined space. Always leave a space around the product for ventilation, do not cover any ventilation openings! Do not obstruct ventilation by placing filters, diffusing materials, etc. over inlets and outlets of the equipment ventilation or directly over glass cover, modelling lamp or flash tube!



## WARNING - Electrical Shock Hazard - High Voltage!

Do not attempt to repair this product yourself, as opening or removing screwed covers may expose you to the risk of electric shock. Equipment must only be serviced, modified, or repaired by authorized and competent service personnel! Warning - The terminals marked with the flash symbol are hazardous live. Do not open or disassemble flashes, generators, or lamp heads! Equipment operates with high voltage. The flashes, generators or lamp heads can contain hazardous live, for a considerable time, even when powered off and / or the battery has been removed. The charger mains cable and plug serve as the disconnect device from mains power. Always disconnect the charger from the mains outlet by pulling the plug, not the cable. The socket outlet should be near the equipment and should be easily accessible. Never operate the equipment without a functioning flash tube and / or modelling light.



## Caution - Burn Hazard - Hot Parts!

Do not touch hot parts with bare fingers! Modeling lamps and flash tubes may make certain metal parts, front lenses or glass covers emit strong heat when used! All lamps may on rare occasions explode and throw out hot particles! Do not point modelling lamps or flash tubes too close to persons.



### Warning - Loud Noise Hazard

There is a risk for exposure to sudden loud noise. Please use hearing protection and/or observe a minimum safety distance of 34 cm (13 in.) between the generator and users/other people present.



### Caution

Possibly hazardous optical radiation emitted from this product. Do not stare at operating lamp. May be harmful to the eye. Do not trigger a flash towards an unexpected subject, any person operating heavy equipment, or on anyone performing any other activities where an unexpected flash could cause injury or harm. Please note that flashes can be triggered remotely from a long distance. Continuous LED light, max 2500 lumen, 3000-6500K (+/- 500K), CRI 90-96.

### NOTICE **Note about RF!**

This equipment makes use of the radio spectrum and emits radio frequency energy. Make sure the device is operated according to the local regulations. The frequency spectrum this device is using is shared with other users. Interference can not be ruled out. Due to the varying regulations and limits on radio transmission, Profoto B10X / B10X Plus has a power output setting. Some countries do not allow the use of the full power mode, please refer to your country specific section in the user guide to see the maximum allowed power setting allowed by national regulations. Please note that reducing the power output will affect the range of the device. Regulations change from time to time, so please make sure you are using the latest firmware and instructions to ensure compliance with rules and regulations. Radio Frequency Specifications: 2.4 GHz (2404 to 2479.3 MHz), < 19.9 dBm (China < 9.9 dBm).

### **RF Exposure Information**

According to RF exposure regulations, under normal operations the end user shall refrain from being closer than 1 cm from the device.



### **Final Disposal**

When the product reaches end of service, do not dispose of it with your other household waste. Equipment contains battery, electrical and electronic components that could be harmful to the environment. Equipment may be returned to Profoto distributors free of charge for recycling. Follow local legislation for disposal of batteries, electrical and electronic components, respectively.



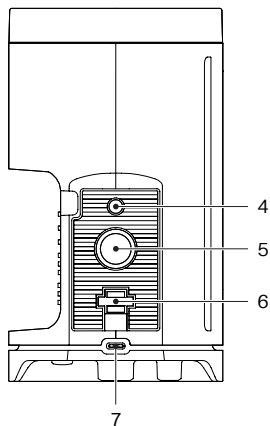
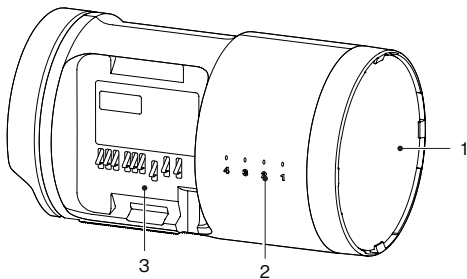
# Table of Contents

General safety instructions.....	4
Nomenclature .....	9
Getting started.....	12
Mandatory safety instructions.....	12
Product registration and firmware update.....	12
Charge the battery.....	12
Charge temperature.....	13
Discharge temperature .....	13
Battery storage .....	13
Check the battery status .....	14
Mount the battery .....	15
Attach the stand adapter.....	16
Setup on light stands.....	17
Setup on camera tripods.....	18
Mount Profoto Light Shaping Tools.....	19
Change front glass, flash tube and LED.....	20
Basic operation.....	21
Switch on/off.....	21
Adjust the flash power.....	21
Adjust the continuous light .....	22
Navigate the settings menu .....	23
Menu settings .....	24
Air group.....	24
Air channel.....	24
Air .....	24
Bluetooth .....	24
IR Sync .....	25
Flash mode .....	25
Continuous light .....	26
Advanced settings.....	26
Warning sounds.....	27

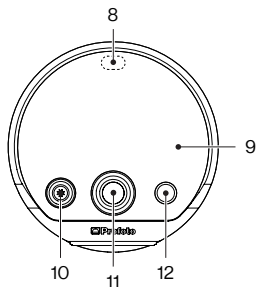
Connectivity .....	29
Set up connectivity with Profoto remotes .....	29
Profoto apps .....	30
Other .....	31
Care instruction .....	31
Overheat protection .....	31
Quick burst .....	31
Serial number .....	31
Technical specifications .....	32
Warranty .....	35
Credit .....	35



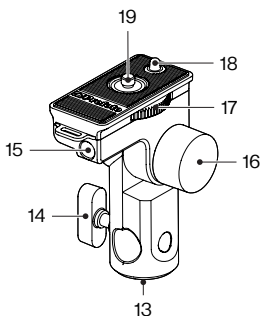
# Nomenclature



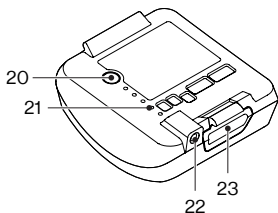
- |                        |                                   |
|------------------------|-----------------------------------|
| 1. Front glass         | 5. Stand adapter attachment point |
| 2. Zoom scale          | 6. Strap attachment point         |
| 3. Battery compartment | 7. USB-C port                     |
| 4. Alignment pin hole  |                                   |



- |                           |                 |
|---------------------------|-----------------|
| 8. IR-Sync eye            | 11. Main dial   |
| 9. Display                | 12. Test button |
| 10. Continuous light dial |                 |



- |                      |                            |
|----------------------|----------------------------|
| 13. Stand stud mount | 17. Attachment screw wheel |
| 14. Clamp screw      | 18. Alignment pin          |
| 15. Umbrella holder  | 19. Attachment screw       |
| 16. Tilt-lock knob   |                            |

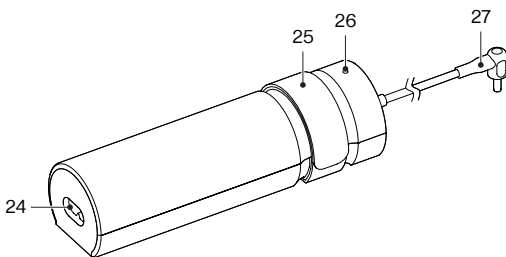


20. Battery status button

21. Battery status LEDs

22. Battery charge connector

23. Battery release button



24. AC inlet

25. Strap

26. Charge status indicator

27. Battery connector plug

# Getting started

## Mandatory safety instructions

In addition to this user guide, you are required to read the Quick Start and Safety Guide before you start using your B10X/B10X Plus. It contains vital information for the safe operation of the product as well as important regulatory information. The Quick Start and Safety Guide is supplied in print with the B10X/B10X Plus translated into many languages, it can also be found for download where you download this user guide.

## Product registration and firmware update

Before use, product registration and firmware update are required. When you start the B10X/B10X Plus for the first time, a welcome screen with a QR code will appear on the display. Scan the QR code with your smartphone and you will be directed to a web page with instructions on how to set up your B10X/B10X Plus.

## Charge the battery

The battery can be charged from any charge level. Only use the Profoto charger supplied with the B10X/B10X Plus or other chargers recommended by Profoto.

1. Connect the battery connector plug [27] on the battery charger to the battery charge connector [22] on the battery.
2. Connect the battery charger to mains power.
3. Check that the charger indicator [26] is continuously amber, indicating that charging is in progress.
4. When the charging is completed, the charger indicator [26] turns green. When not charging it is recommended to disconnect the battery charger from mains power and from the battery.

**NOTE**

- Disconnect the battery from the power outlet before cleaning or when it is not used.
- Battery should not be left discharged for a longer period. If the battery is deeply discharged, the charging time can be longer than specified in section Technical data.
- Battery should not be charged while in contact with flammable material like textiles.
- Battery charger indicator blinking amber indicates battery error. Contact a Profoto dealer for support.
- Do not attempt to recharge a battery which has been left in a hot or cold environment, such as a car. Let the battery reach a temperature suitable for charging before doing so.
- This battery can only be used with Profoto products and chargers.
- Li-Ion battery specification: 14.4 Vdc, 43.2 Wh/3.0Ah
- Charger specification: Input 100-240VAC 50-60 Hz. 1.2A max. Output 16.8V ~ 3.0A.

**Charge temperature**

Temperate indoor environment (ca. 20°C / 70°F)

The battery can be charged in a wider temperature range (0 – 45°C / 32 – 113°F), but charging at high or low temperatures may increase the charging time and/or reduce the battery lifetime.

**Discharge temperature**

-20 – 60°C / -4 – 140°F.

For optimal performance and battery lifetime it is recommended to use the battery in a temperate indoor environment (ca. 20°C / 70°F).

**Battery storage**

If the battery is to be stored for a longer period, it should be charged half-full before storage. Never store an empty battery for a longer period, as it may go into a deep discharge state that can damage the battery cells. After storing a battery for more than 6 months without using it, it is advised to check the charge level on the battery. If less than 2 of the battery status LEDs [21] lights up, the battery should again be charged to half-full before further storage.

Temperate and dry indoor environment (ca. 20°C / 70°F). The storage environment should be free from dust and corrosive gas.

For short-term storage the battery can be stored at up to 45°C / 113°F and higher charge levels.

### Check the battery status

The battery charge can be checked on the battery itself by pressing the Battery status button [20].


## 14

While the battery status button is pressed, the battery charge status is indicated by the Battery status LEDs [21]:

5 LED:	75-100 %
4 LED:	50-75 %
3 LED:	25-50 %
2 LED:	10-25 %
1 LED:	<10 %:

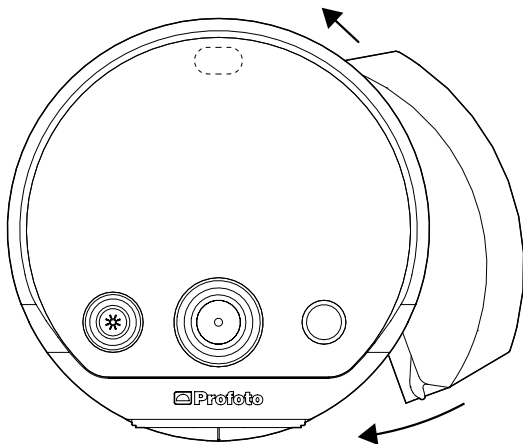
Once the B10X/B10X Plus is turned on, the battery charge status is indicated by the battery icon  in the bottom right of the display [9]:

4 sections:	75-100 %
3 sections:	50-75 %
2 section:	25-50 %
1 section:	10-25 %
Empty frame:	<10 %

If the B10X/B10X Plus is turned on and the battery is charged during use, it will be indicated by a battery charge icon  in the bottom right of the display [9].

## Mount the battery

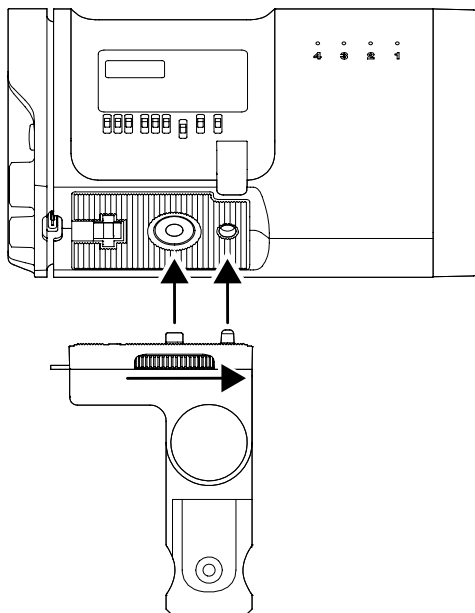
1. To mount the battery, fit the battery into the B10X/B10X Plus unit as illustrated below and press firmly until you hear a “click” sound, indicating that the battery is locked in place.
2. To dismount the battery, first, switch off the B10X/B10X Plus unit. Press the battery release button [23] and pull out the battery.



## Attach the stand adapter

Attach the stand adapter to the stand adapter attachment point [5] on the B10X/B10X Plus.

1. Before attaching, observe that the alignment pin [18] on the stand adapter, fits into alignment pint hole [4] on the B10X/B10X Plus.
2. Tighten the attachment screw [19] with the attachment screw wheel [17] until the stand adapter sits firm.

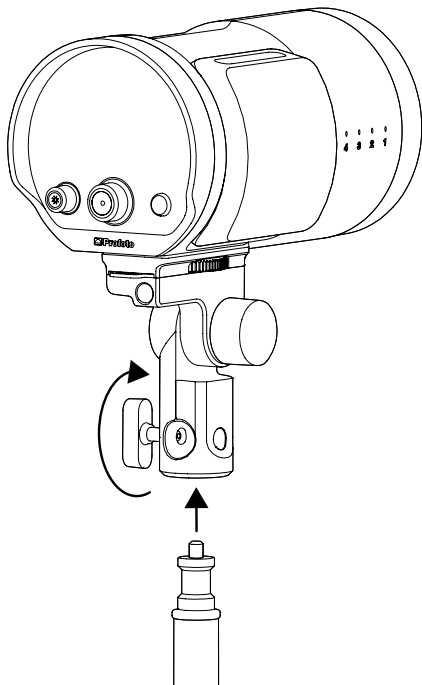




## Setup on light stands

Before mounting the B10X/B10X Plus onto a light stand, you need to attach the stand adapter. Once the stand adapter is attached, follow the instruction below.

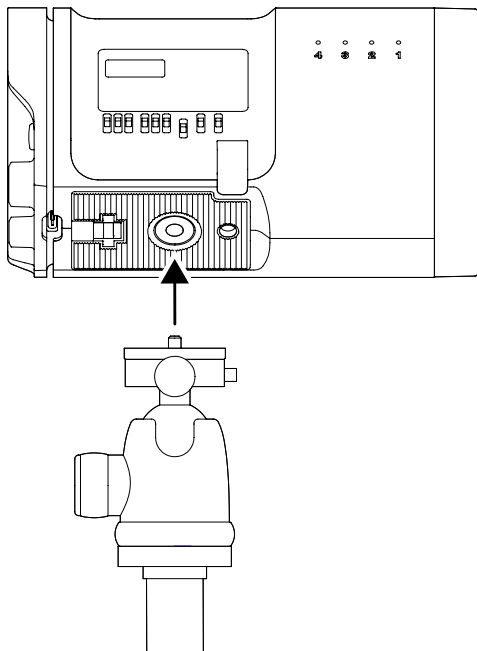
1. Mount the Stand stud mount [13] onto the stand stud and secure with the Clamp screw [14].
2. Loosen the Tilt lock knob [16] to adjust the tilt position.
3. Tighten the Tilt lock knob [16] to lock the tilt position.



## Setup on camera tripods

It is easy to mount the B10X/B10X Plus onto any camera tripod or ball head.

1. If the stand adapter is attached to the B10X/B10X Plus, first remove it.
2. Attach the tripod or ball head onto the stand adapter attachment point [5] on the B10X/B10X Plus.



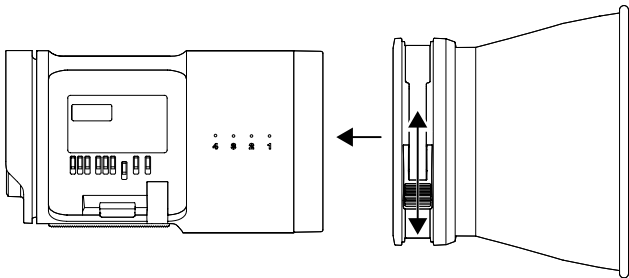
## Mount Profoto Light Shaping Tools

The B10X/B10X Plus is compatible with more than Profoto 120 light shaping tools, which can be used to shape its already beautiful light into almost any light you can imagine. Note that instructions additional from those below may come with each light shaping tool.

### Mount tools with standard reflector mount (rubber collar with clasp)

Most reflectors are equipped with Profoto's unique clamp mechanism. This makes them easy to mount and allows you to shape the light by simply sliding the reflector back and forth along the zoom scale [2] on the B10X/B10X Plus.

1. Unlock the clasp on the reflector.
2. Slide the reflector onto the front of the B10X/B10X Plus. Use the zoom scale [2] as a memo for where to position the reflector.
3. Secure the reflector by locking the clasp on the reflector.

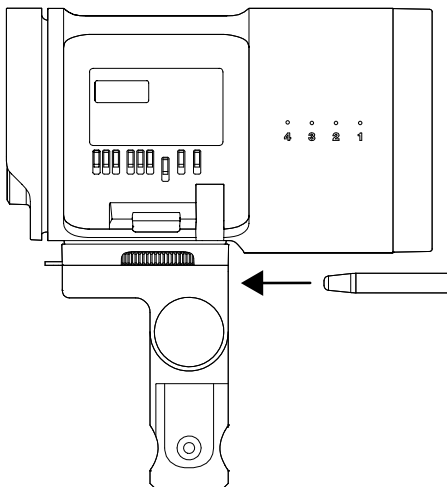


## Mount umbrellas

The umbrella holder is integrated into the stand adapter. Umbrellas are easily mounted by sliding the umbrella shaft into the umbrella holder [15]. The umbrella shaft diameter must be between 7 mm and 8 mm to fit into the umbrella holder.

1. Mount the stand adapter on the B10X/B10X Plus.
2. Slide the umbrella shaft into the umbrella holder [15] passing the point where you feel some friction.
3. Continue to slide the umbrella shaft into the umbrella holder [15] until the umbrella is positioned where you want it.

20



## Change front glass, flash tube and LED

Replacement of the front glass, flash tube, or continuous light LED can only be performed by a service technician. Contact your nearest Profoto dealer or distributor for professional service.

## Basic operation

### Switch on/off

1. To switch on the unit, press and hold the Test button [12].
2. To switch off the unit, press and hold the Test button [12].

When the B10X/B10X Plus is switched off, the current settings are stored and will apply when the unit is switched on again.

### NOTE

To save battery, the B10X/B10X Plus automatically enters standby mode and/or switches off completely after a period of inactivity. The periods of inactivity for the standby and auto power off functions are selectable via the settings menu.

### Adjust the flash power

The flash power setting (light output) is shown in big bold numbers on the display [9]. The power scale is a relative f-stop scale from 1.0-10. The maximum light output is shown as 10.

Use the Main dial [11] to change the flash light output:

- Turn the Main dial [11] to change the light output in 1/10 f-stop increments.
- Press and turn the Main dial [11] to change the light output in 1 f-stop increments.
- Press the Test button [12] to release a test flash.

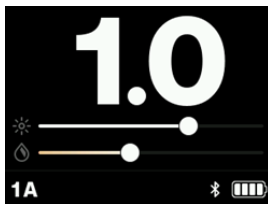
## Adjust the continuous light

The continuous light can be set to FREE (factory setting) or PROPORTIONAL in the settings menu.

1. When set to FREE the continuous light brightness can be adjusted separately from the flash power.
2. When set to PROPORTIONAL the continuous light brightness is always proportional to the flash power.

Adjusting continuous light when it is set to FREE

1. Press the Continuous light dial [10] to turn the continuous light on or off.
2. When the continuous light is on, the brightness and color temperature is indicated in the display [9] by two separate bars as shown below.

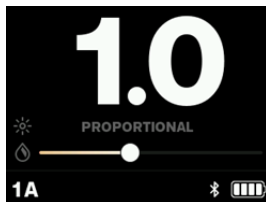


3. Turn the Continuous light dial [10] to change the brightness.
4. Press and turn the Continuous light dial [10] to change the color temperature.

Adjusting continuous light when it is set to PROPORTIONAL

1. Press the Continuous light dial [10] to turn the continuous light on or off.

- When the continuous light is on, the brightness and color temperature is indicated in the display [9] as shown below.

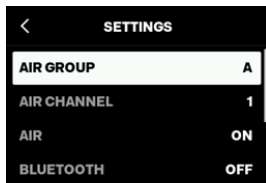


- Turn the Main dial [11] to change the intensity (this will change both flash and continuous light proportionally).
- Turn the continuous light dial [10] to change the color temperature.

### Navigate the settings menu

All B10X/B10X Plus settings are accessed and selected through the settings menu.

- Press the Main dial [11] to enter the settings menu.



- Scroll through the settings menu by turning the Main dial [11].
- To change a setting, press the main dial [11]. For some settings, a sub menu will appear.
- To return to the previous menu, press the Continuous light dial [10] or select the left arrow symbol at the top of the menu.
- To return to the main screen, press the Test button [12].

## Menu settings

All settings listed below are accessed through the settings menu.

### Airgroup

The AIR GROUP setting is used to select the group (A-F) for wireless control via Profoto Air. Factory default setting is group A.

#### NOTE

The AIR GROUP setting is only selectable when AIR is set ON.

### Air channel

The AIR CHANNEL setting is used to select the channel (1-20) for wireless triggering via Profoto Air. Factory default setting is channel 1.

#### NOTE

The AIR CHANNEL setting is only selectable when AIR is set ON.

### Air

The AIR setting can be set to ON or OFF to activate or deactivate Profoto Air wireless functionality. When Air is deactivated, "AIR OFF" is shown at the bottom left of the display [9]. When Air is activated, the set channel and group, ex "1A" is shown at the bottom left of the display [9].

#### NOTE

If AIR is ON channel and group must also be selected. For additional guidance how to set up Air, see the section "Connectivity".

### Bluetooth

The BLUETOOTH setting is used to manage connectivity with the Profoto app. See also section Profoto app connectivity.

- **DISCOVERABLE:** Select ON to make the B10X/B10X Plus discoverable and OFF to deactivate Bluetooth. When Bluetooth is activated, a Bluetooth icon is shown at the bottom of the main screen of the display [9].
- **DISCONNECT:** This is only selectable if the Bluetooth is activated and connected to the Profoto app. Can be selected to force disconnection from the Profoto app without turning off Bluetooth.



## IR Sync

The IR Sync setting can be set to ON or OFF to activate or deactivate the infrared slave sensor. Factory default setting is OFF.

### NOTE

It is highly recommended to set IR Sync to OFF if other methods of triggering (e.g AIR) is used.

## Flash mode

The FLASH MODE setting adjusts the flash duration and color temperature on the flash across the full power range. There are two selectable settings, NORMAL and FREEZE. Factory default setting is NORMAL.

- **NORMAL:** Optimized for consistent color temperature across the full flash power range. NORMAL is the best flash mode for most types of shots.
- **FREEZE:** Optimized for shortest flash duration across the full flash power range. FREEZE is the best option for shots where the flash is used to freeze fast action. When FREEZE is activated a FREEZE indication shown on the main screen.

### NOTE

The flash mode setting is only relevant when using the flash at shutter speeds within the camera X-sync range. When shooting at shorter shutter speeds with High-Speed Sync, there is not difference between the two settings.

See an overview of the flash duration and color temperature in NORMAL vs FREEZE mode in the Specification section of this user guide.

## Continuous light

The CONTINUOUS LIGHT setting defines how the continuous light intensity is adjusted. There are two selectable settings, PROP and FREE. Factory default setting is FREE.

- PROP: The continuous light intensity is always proportional to the flash power setting. This setting is recommended if the continuous light is used as modeling light.
- FREE: The continuous light intensity can be set independent from the flash power setting. This setting is recommended if the continuous light is used as video light.

### NOTE

For instructions on how to adjust the continuous light when either PROP or FREE is selected, go to the section “Adjust the continuous light”.

## Advanced settings

### Ready signal

The READY SIGNAL setting sets how the B10X/B10X Plus indicates that it is fully recycled after a flash and is ready to flash again. There are four selectable settings:

- SOUND: The B10X/B10X Plus beeps when it has recycled and is ready to flash.
- DIM: The continuous light turns off after flashing and turns on when the B10X/B10X Plus has recycled and is ready to flash.
- SOUND & DIM: The B10X/B10X Plus signals with both SOUND and DIM.
- OFF: The B10X/B10X Plus doesn't signal that it is ready to flash. This is the factory default setting.

### NOTE

Test button indicator light always turns off after flash and turns on again when the B10X is fully recycled.

## Control sounds

The CONTROL SOUNDS setting can be set to ON or OFF to enable/disable tactile sounds for control knobs and buttons. Factory default setting is ON.

## Warning sounds

The warning sounds setting is used to enable/disable the sound for the wrong exposure alarm.

### NOTE

The EXP indicator will always appear temporarily on the menu display [8] in case of a wrong exposure alarm, regardless of the warning sound setting.

## Display brightness

The DISPLAY BRIGHTNESS setting is used to set display brightness. There are four selectable settings:

- AUTO: The display brightness is automatically adjusted based on the ambient lighting. This is the factory default setting.
- MAX
- MEDIUM
- LOW

## Standby

The STANDBY setting sets a timer for a period of inactivity until the B10X/B10X Plus goes into standby mode to save battery. There are four selectable settings:

- 5 MIN: The B10X/B10X Plus goes into standby mode after 5 minutes of inactivity.
- 30 MIN: The B10X/B10X Plus goes into standby mode after 30 minutes of inactivity. This is the factory default setting.
- 1 HOUR: The B10X/B10X Plus goes into standby mode after 1 hour of inactivity.
- NEVER: The B10X/B10X Plus never goes into standby mode.

## Auto off

The AUTO OFF setting sets a timer for a period of inactivity until the B10X/B10X Plus turns off to save battery.

There are three selectable settings:

- 15 MIN: The B10X/B10X Plus turns off after 15 minutes of inactivity.
- 1 HOUR: The B10X/B10X Plus turns off after 1 hour of inactivity. This is the factory default setting.
- NEVER: The B10X/B10X Plus never turns off automatically.

### NOTE

If both the STANDBY and AUTO OFF functions are deactivated, the battery will drain in approx. 8 hours of inactive use.

## About

The ABOUT section displays unit specific information about the serial number, hardware, and installed firmware.

## Regulatory info

The regulatory info section displays regulatory information.

## Factory reset

FACTORY RESET will reset all settings to factory default settings.

## Connectivity

B10X/B10X Plus comes with built-in Profoto AirX connectivity. AirX is the 3rd generation of wireless Profoto connectivity, after Air and AirTTL.

AirX supports:

- Wireless Air and AirTTL functionality in Profoto Air and AirTTL enabled remotes.
- Dedicated AirX functionality in AirX enabled Profoto remotes and apps.

### Set up connectivity with Profoto remotes

These instructions only cover the basic setup on B10X/B10X Plus. For detailed operating instructions, refer to the user guide for your Profoto remote.

1. On the B10X/B10X Plus settings menu, set Air to ON.
2. On the B10X/B10X Plus main menu, select the same channel that is set on your Profoto remote.
3. On the B10X/B10X Plus main menu, assign a group (A-F).

### Auto (TTL) with Profoto remotes

Auto (TTL) requires no additional setup on the B10X/B10X Plus, once the Air channel and group setup is done. Just switch between Auto (TTL) and Manual (MAN) on your Profoto remote to select if you want the remote to adjust the flash automatically or if you want to control it manually.

B10X/B10X Plus will keep the flash power set by Auto (TTL) when you switch the remote to Manual (MAN). This makes it easy to use Auto (TTL) as your “light meter” to get a good starting point for manual adjustments.

When Auto (TTL) is activated by the remote, the **AUTO** indicator temporarily appears on the energy display [9] or [10].

When an Auto (TTL) group adjustment is made on the remote, the **AUTO** indicator, including the offset, temporarily appears on the energy display [9] or [10].

## High-Speed Sync (Hi-S) with Profoto remotes

High-Speed Sync (Hi-S) requires no additional setup on the B10X/B10X Plus, once the Air channel and group setup is done. High-Speed Sync is activated on your remote or camera.

When High-Speed Sync is activated by the remote, the **Hi-S** indicator temporarily appears on the menu display [8].

## Profoto apps

Profoto apps are continuously updated with new functionality and they also help you to keep your B10X/B10X Plus up to date with the latest new feature updates and bug fixes.

Some of the benefits with the Profoto apps are:

- Easy registration and updates. Register ownership and get the latest B10X/B10X Plus updates available at your fingertips.
- Smart remote control. Control the B10X/B10X Plus from your smartphone screen.
- Smartphone camera. Shape your smartphone images with a real flash.

As of March 2021, Profoto apps are available on App Store, Google Play, and Huawei AppGallery. For more information about the Profoto apps, go to [profoto.com](http://profoto.com).

To connect the Profoto app to the B10X/B10X Plus, you need to activate Bluetooth (see section Main menu navigation). Then start the Profoto app and follow the in-app instructions.

## Other

### Care instruction

To clean the unit, wipe with a soft cloth moistened with a little mild detergent. Use another soft dry cloth to wipe dry.

### Overheat protection

A temperature limit indicator is shown on the main screen of the display [9] if the B10X/B10X Plus has reached a temperature level that has activated the built-in overheat protection. When this occurs, the performance is limited until the temperature level is back to an acceptable level.

### Quick burst

Quick burst is an automatically activated function that allows a series (burst) of flashes to be fired at a faster pace than the B10X/B10X Plus can recycle. The function is only active when the light output is set to less than full. The length of the burst, in numbers of flashes, depends on the repetition rate and the set light output. The lower the light output is set, the longer bursts can be triggered. Thanks to this feature, the B10X/B10X Plus can trigger up to 20 flashes per second on lower power output without losing light after the first flash. Note that the accuracy of the light output is slightly less precise when Quick burst is active.

### Serial number

The serial number is printed on the B10X/B10X Plus unit, underneath the battery pack. You can also find the serial number in the display [9] under SETTINGS>ADVANCED>ABOUT.

## Technical specifications

<b>Flash</b>	<b>Profoto B10X</b>	<b>Profoto B10X Plus</b>
Max flash energy	250Ws	500Ws
<b>Measurements</b>		
Diameter	10 cm/3.9"	10 cm/3.9"
Length	17.5 cm/6.9"	23.5 cm/9.3"
Weight excluding Stand adapter	1.3 kg/2.8 lbs	1.7 kg/3.7 lbs

All technical data are to be considered as nominal and Profoto reserves the right to make changes without further notice.



B10X		Normal mode		Freeze mode	
		Flash duration		Flash duration	
Energy (scale)	Energy (Ws)	t0.1(s)	t0.5(s)	t0.1(s)	t0.5(s)
10.0	250	1/400	1/1300	1/400	1/1300
9.0	125	1/650	1/1400	1/1500	1/1800
8.0	62.5	1/1000	1/1500	1/2800	1/4100
7.0	32	1/1400	1/1600	1/4300	1/8000
6.0	15	1/1800	1/2100	1/5800	1/13000
5.0	8	1/2100	1/2700	1/7700	1/17000
4.0	4	1/2600	1/3300	1/9900	1/19000
3.0	2	1/2800	1/3700	1/12000	1/25000
2.0	1	1/3300	1/4600	1/15000	1/50000
1.0	0.5	1/4900	1/7000	1/14000	1/42000

For more technical specifications, go to [profoto.com](http://profoto.com)

<b>B10X Plus</b>		<b>Normal mode</b>		<b>Freeze mode</b>	
		<b>Flash duration</b>		<b>Flash duration</b>	
<b>Energy (scale)</b>	<b>Energy (Ws)</b>	<b>t0.1(s)</b>	<b>t0.5(s)</b>	<b>t0.1(s)</b>	<b>t0.5(s)</b>
10.0	500	1/390	1/1200	1/390	1/1200
9.0	250	1/500	1/1300	1/1200	1/1700
8.0	125	1/800	1/1400	1/2200	1/4000
7.0	62.5	1/1300	1/1500	1/3500	1/6000
6.0	32	1/1600	1/1600	1/5000	1/8000
5.0	15	1/1900	1/2400	1/6400	1/11000
4.0	8	1/2300	1/3000	1/7900	1/14000
3.0	2	1/2700	1/3600	1/9400	1/20000
2.0	1	1/3400	1/4800	1/12000	1/25000
1.0	0.5	1/4100	1/6000	1/14000	1/35000

For more technical specifications, go to [profoto.com](http://profoto.com)

## **Warranty**

For warranty information visit: <https://profoto.com/support/warranty>

## **Credit**

App Store is a trademark of Apple Inc., registered in the U.S. and other countries and regions.

Google Play and the Google Play logo are trademarks of Google LLC.

HUAWEI and AppGallery are trademarks of Huawei Technologies Co., Ltd registered in China and other countries.

The Bluetooth word mark and logos are registered trademarks owned by the Bluetooth SIG, Inc. and any use of such marks by Profoto is under license.

Other trademarks and trade names are those of their respective owners.









Profoto AB  
Box 1264,  
172 25 Sundbyberg  
Sweden

+46 (0) 8 447 53 00  
info@profoto.com  
www.profoto.com

 **Profoto**

Technical data and product information are subject to change without notice.

PGM0024-0000A2. November 2022. Printed in Sweden.