

Barndoor 234mm

Barndoor Adapter 234mm

User guide

General safety instructions



Safety Precautions!

IMPORTANT SAFETY INFORMATION & WARNINGS!

Do not operate the equipment before studying the Quick Start and Safety Guide and the User Guide for both the light shaping tools and the light. Make sure that the Safety Guide is always accessible to the user! Profoto products are intended for professional use. Do not connect lights, or use light shaping tools, from other manufacturers. Always use protective gloves and safety glasses while performing maintenance on the equipment. If the product enclosure should crack, immediately stop using the product and contact Profoto Service! Do not operate a product which has been left in a hot or cold environment, such as a car. Let the product reach the approved operating temperature before doing so. Do not mount or use the equipment at a height exceeding 2 m (6.5 feet). When using a stand, always make sure that the equipment is securely attached. Never install the product in a confined space. Always leave a space around the product for ventilation, do not cover any ventilation openings! Do not obstruct ventilation by placing filters, diffusing materials, etc. over inlets and outlets of the equipment ventilation or directly over glass cover, modeling lamp or flash tube! Product shall not be exposed to excessive heat such as sunshine, heat sources, and fire or similar. Profoto products are only intended for the purpose of image capture, such as photography and videography. They are not intended for use in any other application. Equipment must only be serviced, modified, or repaired by authorized and competent service personnel!

Caution - Burn Hazard - Hot Parts!



Do not touch hot parts with bare fingers! Modeling lamps and flash tubes may make certain metal parts, front lenses or glass covers emit strong heat when used! Do not point modeling lamps or flash tubes too close to persons.

Care instruction

To clean the unit, wipe with a soft cloth moistened with a little mild detergent. Use another soft dry cloth to wipe dry.



Final Disposal

This product must not be disposed of with normal household waste. Instead, it is your responsibility to dispose of your waste equipment by arranging to return it to a designated collection point for the recycling of waste. By separating and recycling your waste equipment at the time of disposal you will help to conserve natural resources and ensure that the equipment is recycled in a manner that protects human health and the environment. For more information about how to recycle your product, please visit your local recycling collection point.

User Guide

The full user guide and other downloads can be found at:

<https://support.profoto.com/support/solutions/79000058332>



System description

This barndoor is designed for Profoto equipment.

Attach the adapter by placing it in the plastic wheels (see figure 1).

Lock the adapter by tightening the locking spring (see figure 2).

Hook the safety wire into one of the four corner holes (see figure 3). Hook the other end of the wire to a suitable attachment.

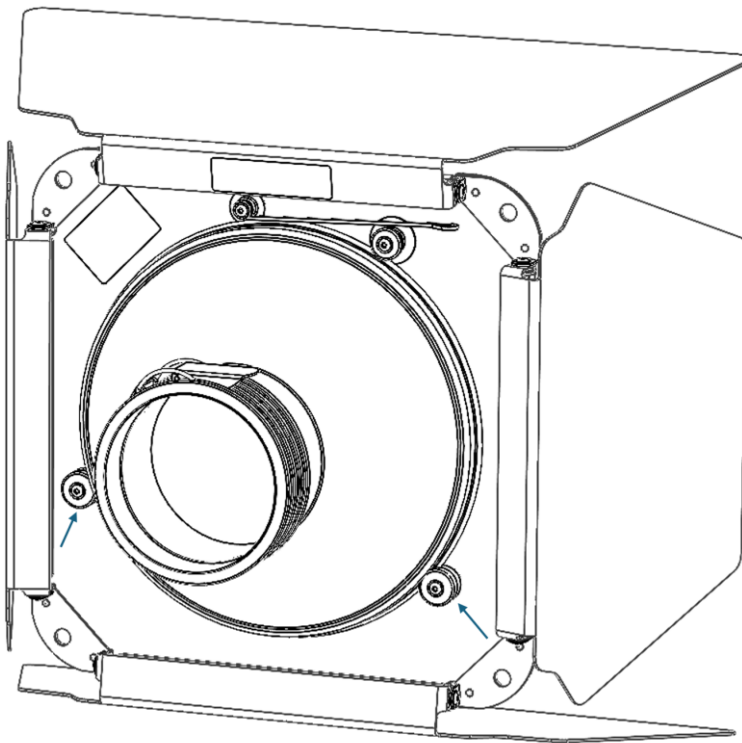


Figure 1.

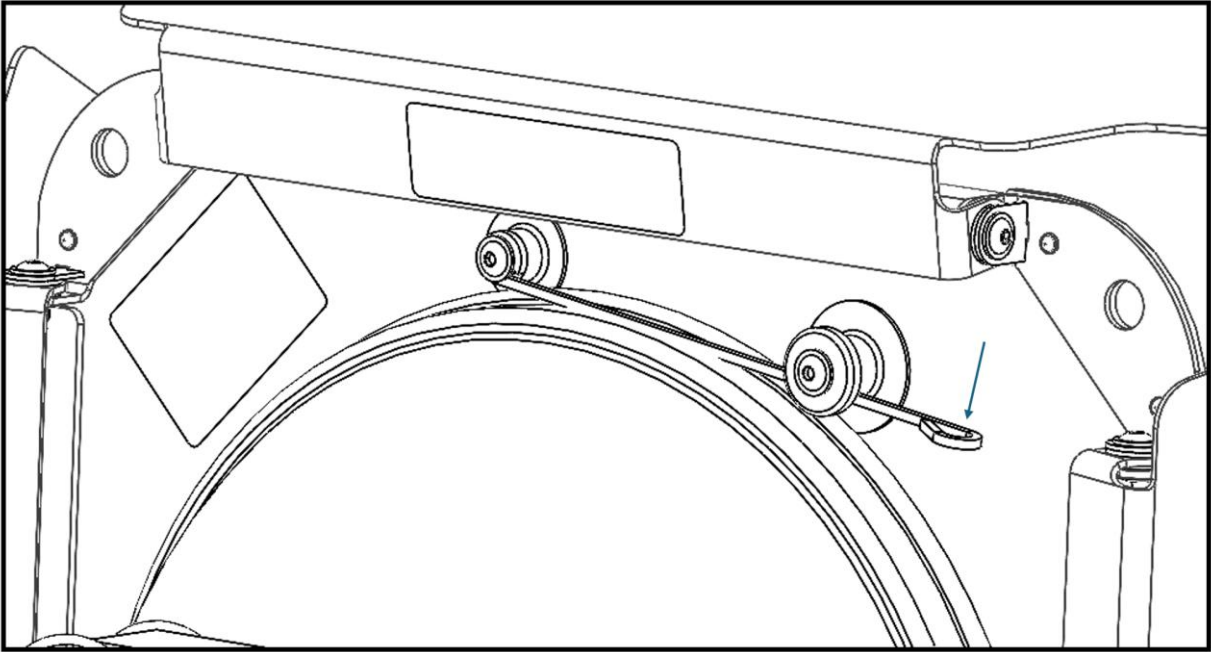


Figure 2.

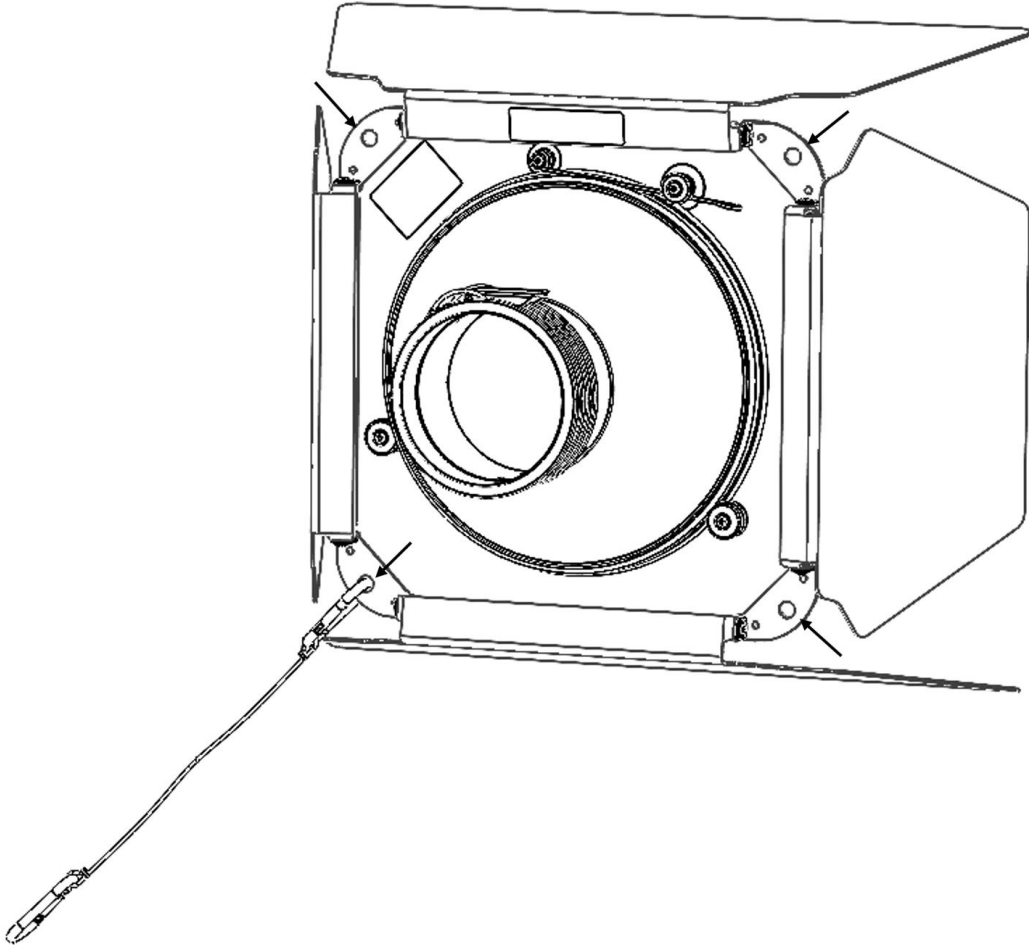


Figure 3.