

User manual

Striplight S

Striplight M

Striplight L

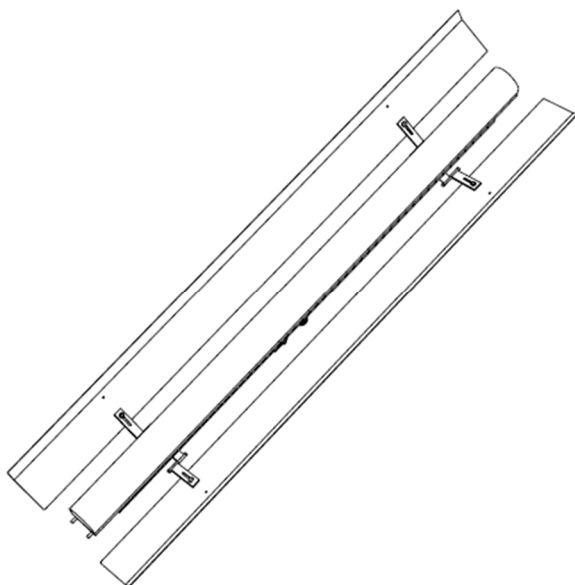
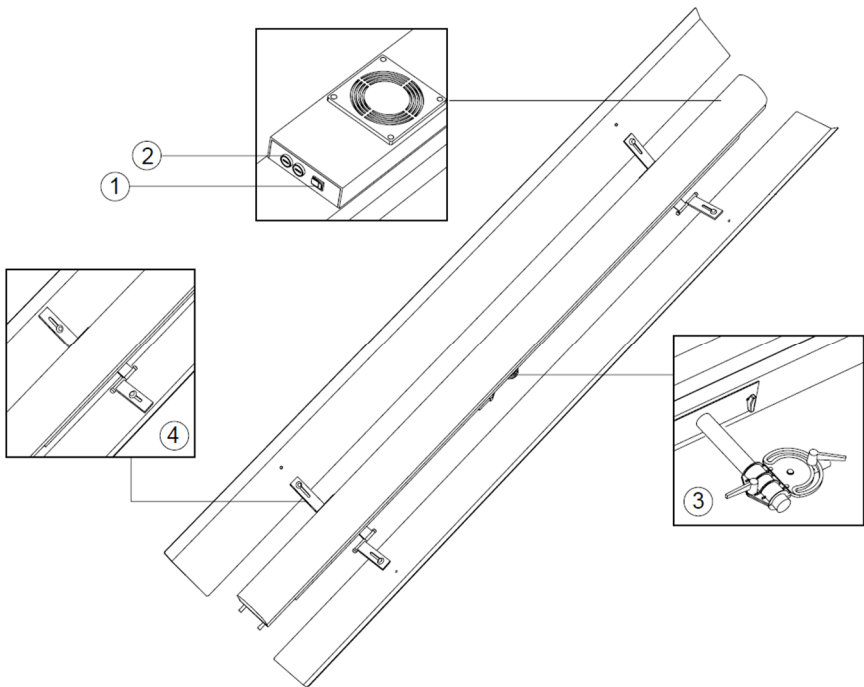


Table of contents

Control elements	3
Assembly.....	4
Attach stand mount	4
Attach barndoors (optional accessory)	5
Maintenance	6
Replace modelling lamps	6
Change flash tube	7
Change fuse	7
Technical data	8

Control elements

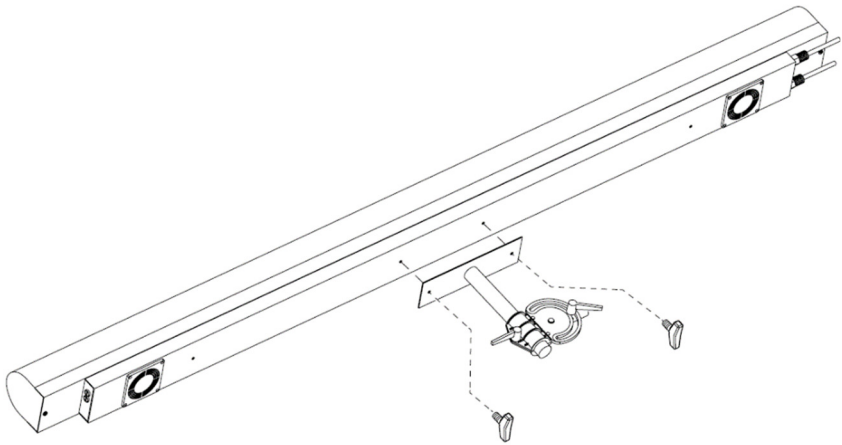
1. Model light on/off switch
2. Fuse holders
3. Stand mount with tilt and rotation lock
4. Barndoor hinges with dual barndoor positioning (barndoors sold as optional accessory)



Assembly

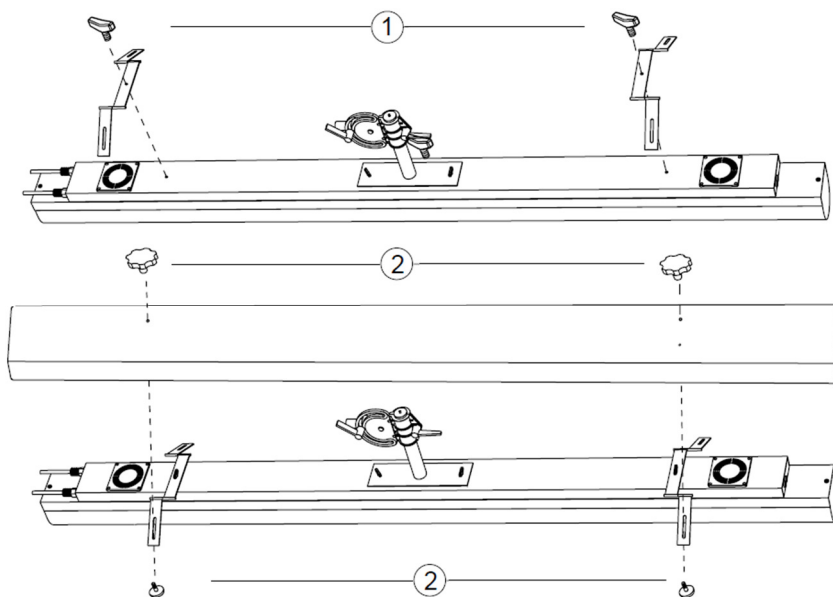
Attach stand mount

Attach the stand mount to the rear side of the Striplight with two wing screws.



Attach barndoors (optional accessory)

1. Attach the hinges to the rear side of the Striplight with two wing screws.
2. Attach the barndoors to the hinges with grip screws and screws. Adjust to desired position before tightening the grip screw.



Maintenance

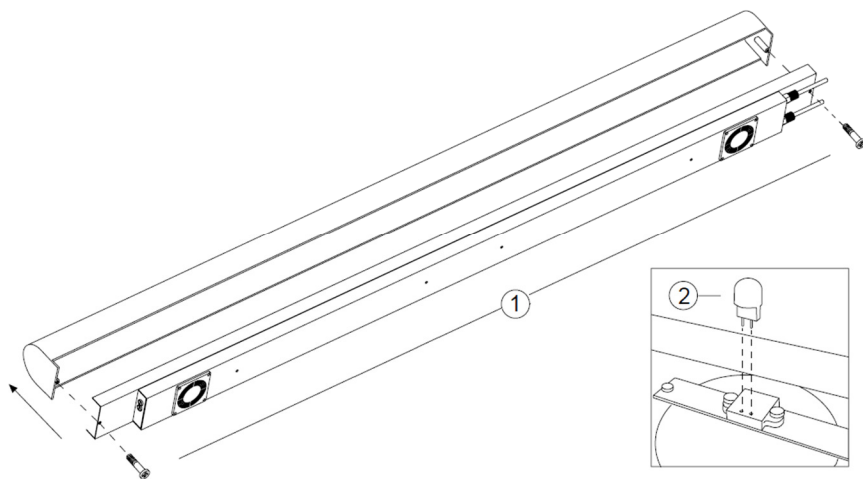
Replace modelling lamps

1. Unscrew the screws holding the frosted cover and carefully remove the frosted cover.
2. Unplug the halogen bulbs from their sockets. Be careful to not damage the flash tube.



WARNING - ELECTRIC SHOCK HAZARD - HIGH VOLTAGE!

Before opening the lamp head, all lamp head cables must be disconnected from flash generator.

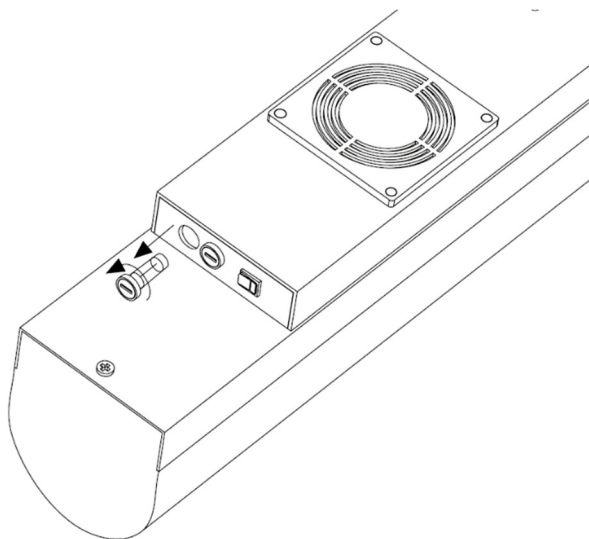


Change flash tube

Flash tubes shall only be replaced by an authorized service technician. Contact your Profoto dealer or an authorized Profoto service station for professional service.

Change fuse

Remove the fuses according to picture below. See fuse rating in technical data.



Technical data

	Striplight S	Striplight M	Striplight L
Size (L x B x H)	69x10x14 cm 27.2x3.9x5.5 in	130x10x14 cm 51.2x3.9x5.5 in	190x10x14 cm 74.8x3.9x5.5 in
Weight	6.8 kg / 15 lb	10.5 kg / 23.2 lb	16 kg / 35.3 lb
No of light modules	1	2	3
No of lamp cables	1	2	3
Max flash energy	2400 Ws	2x 2400 Ws	3x 2400 Ws
Max model light	200 W	2x 200 W	3 x 200 W
Stand mount	11/8"	11/8"	11/8"
Model on/off switch	Yes	Yes	Yes
Model lamp type	Halogen G4 12V/20W (10 pcs)	Halogen G4 12V/20W (2 x 10 pcs)	Halogen G4 12V/20W (3 x 10 pcs)
Temp sensor	Yes	Yes	Yes
Fuse	Yes F2.5A	Yes 2 x F2.5A	Yes 3 x F2.5A
Fan cooling	Yes	Yes	Yes
Optional accessory	Barndoors	Barndoors	Barndoors